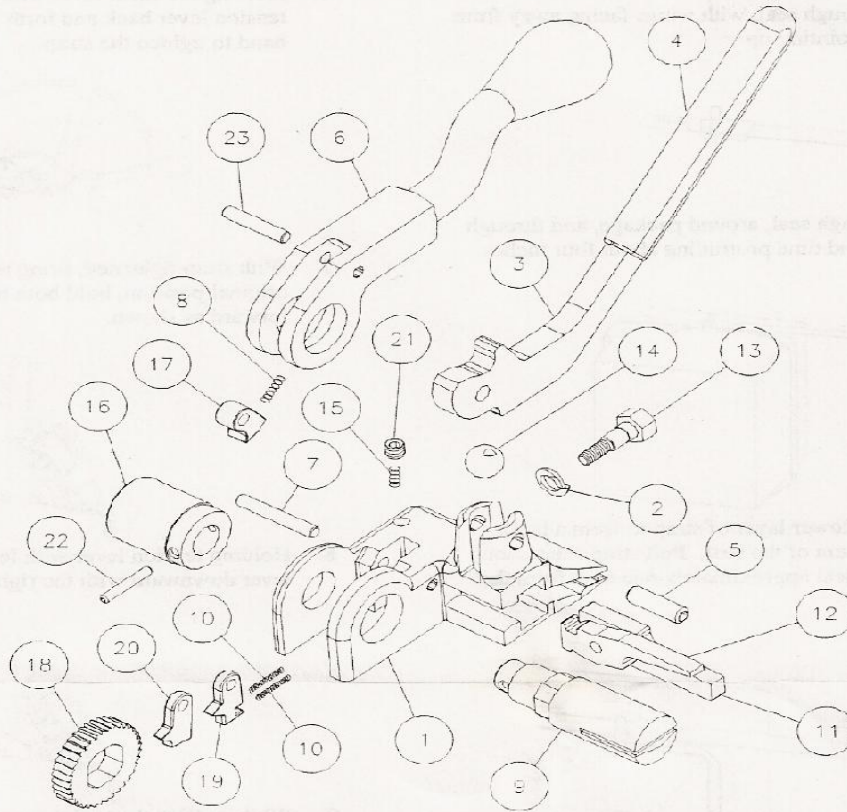


PARTS LIST FOR M-1920



| KEY | PART NO. | DESCRIPTION | PRICE | KEY | PART NO. | DESCRIPTION | PRICE |
|-----|----------|-----------------------|-------|-----|----------|-----------------------|-------|
| 1 | M1920-1 | BASE | 81.95 | 12 | M1920-12 | UPPER SHEAR BLADE | 81.95 |
| 2 | M1920-2 | LOCK WASHER | 8.95 | 13 | M1920-13 | SHEAR BLADE SCREW | 8.95 |
| 3 | M1920-3 | SHEAR LEVER | 47.95 | 14 | M1920-14 | SHEAR BLADE BALL | 47.95 |
| 4 | M1920-4 | GRIP | 39.95 | 15 | M1920-15 | SHEAR BLADE SPRING | 39.95 |
| 5 | M1920-5 | SHEAR LEV. SPRING PIN | .95 | 16 | M1920-16 | HAMMER KNOB | .95 |
| 6 | M1920-6 | TENSION LEVER | 24.95 | 17 | M1920-17 | DRIVE PAWL | 24.95 |
| 7 | M1920-7 | BASE DOWEL PIN | 1.95 | 18 | M1920-18 | RATCHET WHEEL | 1.95 |
| 8 | M1920-8 | DRIVE PAWL SPRING | 20.95 | 19 | M1920-19 | SHORT STOP PAWL | 20.95 |
| 9 | M1920-9 | TENSION SHAFT | 3.95 | 20 | M1920-20 | LONG STOP PAWL | 3.95 |
| 10 | M1920-10 | STOP PAWL SPRING | 1.95 | 21 | M1920-21 | SET SCREW | 1.95 |
| 11 | M1920-11 | LOWER SHEAR BLADE | 1.95 | 22 | M1920-22 | HAMMER SPRING PIN | 1.95 |
| | | | | 23 | M1920-23 | TENS. LEVER DOWEL PIN | 1.95 |

The description and price for the M-1920 are on Page 22.